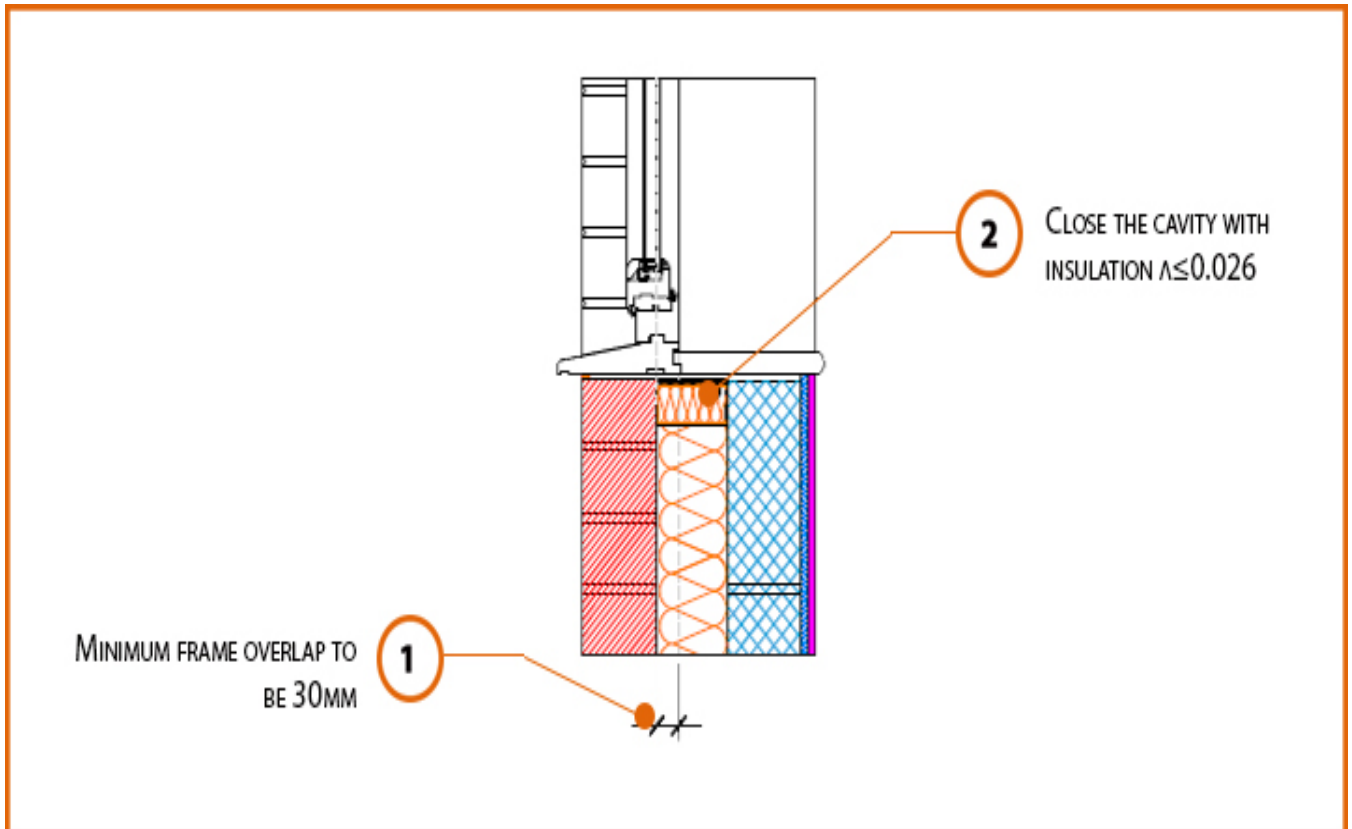


# LABC Registered Construction Details Masonry



Registration Number: E3MCFF3



## Build Up

External Masonry Cavity Wall

Masonry Outer Leaf ( $\lambda = 0.77$ )

Dense Concrete Block  $\lambda \leq 1.33$  W/mK

Full Fill Insulation

Window Sill



## Calculated $\psi$ -values

Cavity Insulation	Inner leaf blockwork
	Dense Concrete Block $\lambda \leq 1.33$ W/mK
	$\psi$ -value W/mK
100mm $\lambda=0.037$	0.013
100mm $\lambda=0.032$	0.015
150mm $\lambda=0.037$	0.020
150mm $\lambda=0.032$	0.021

## Points to Watch

- Cavity should be closed with a proprietary cavity closer or block of insulation
- Ensure the cavity closer is in contact with the insulation within the cavity and the window / door frame.
- Ensure cavities are kept clean of mortar snots and other debris during construction
- A flexible sealant should be applied to the junction between the plaster/ plasterboard, sill board and window frame member
- Sealant should be added to the front and back of the sill board
- Ensure that the damp proof course is correctly positioned.